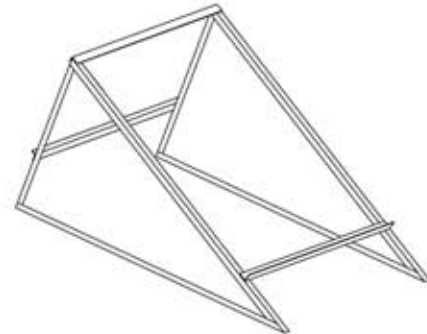




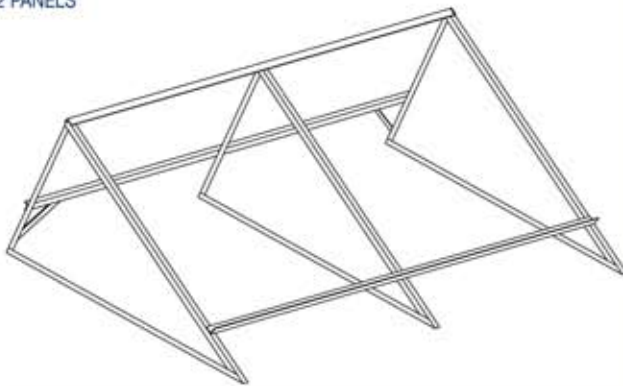
Technical Data Forced circulation support structure Kit for flat roofs

1 PANEL

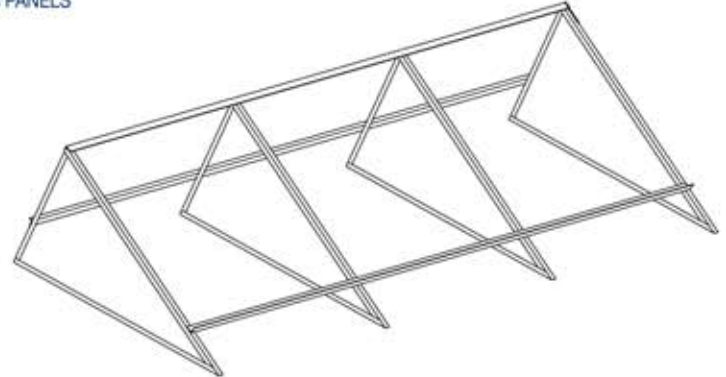
Component	Supporting 1 panel	Supporting 2 panels	Supporting 3 panels
Supporting elements			
a	2	3	4
b	2	3	4
c	2	3	4
d	1	1	1
e	1	1	1
f	1	1	1
g	2	2	2
Attachment elements			
z	4	4	4
v		2	4
Bolts M8x130		2	4
Bolts M8x20	20	40	52
Nuts M8	20	46	60



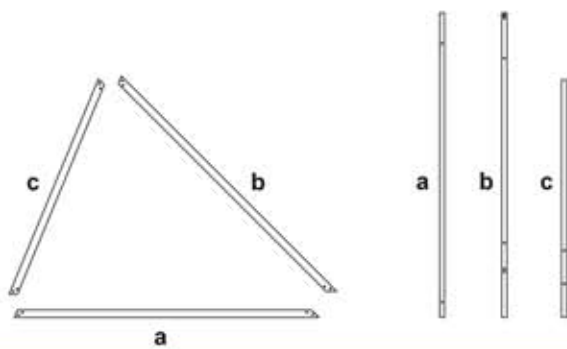
2 PANELS



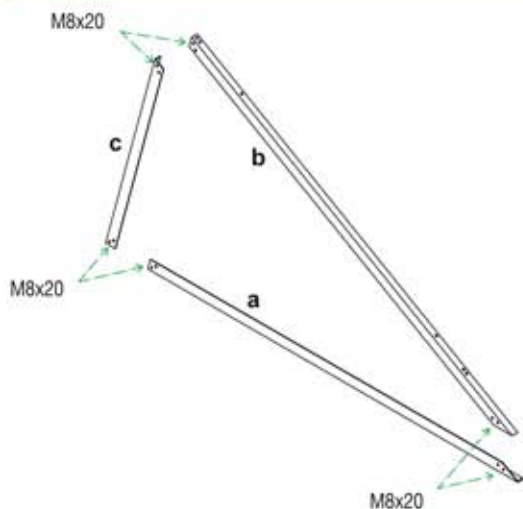
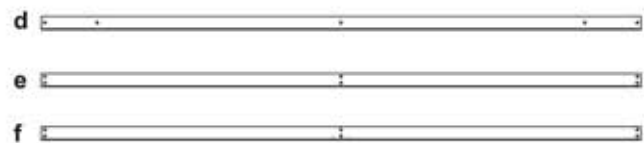
3 PANELS



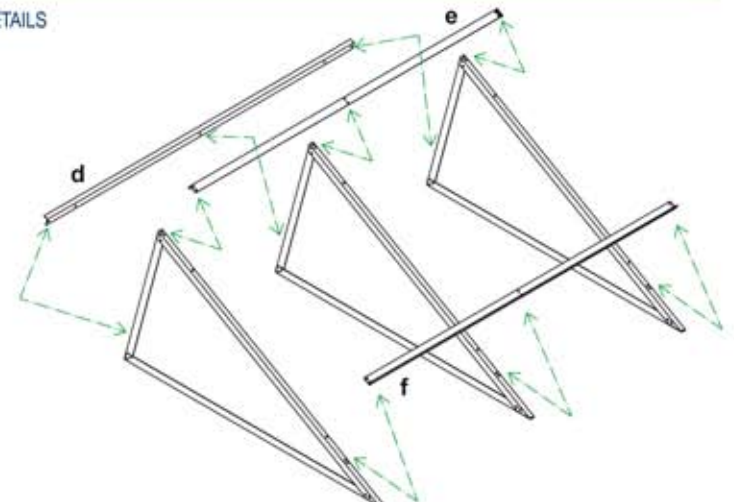
SUPPORTING TRIANGLES



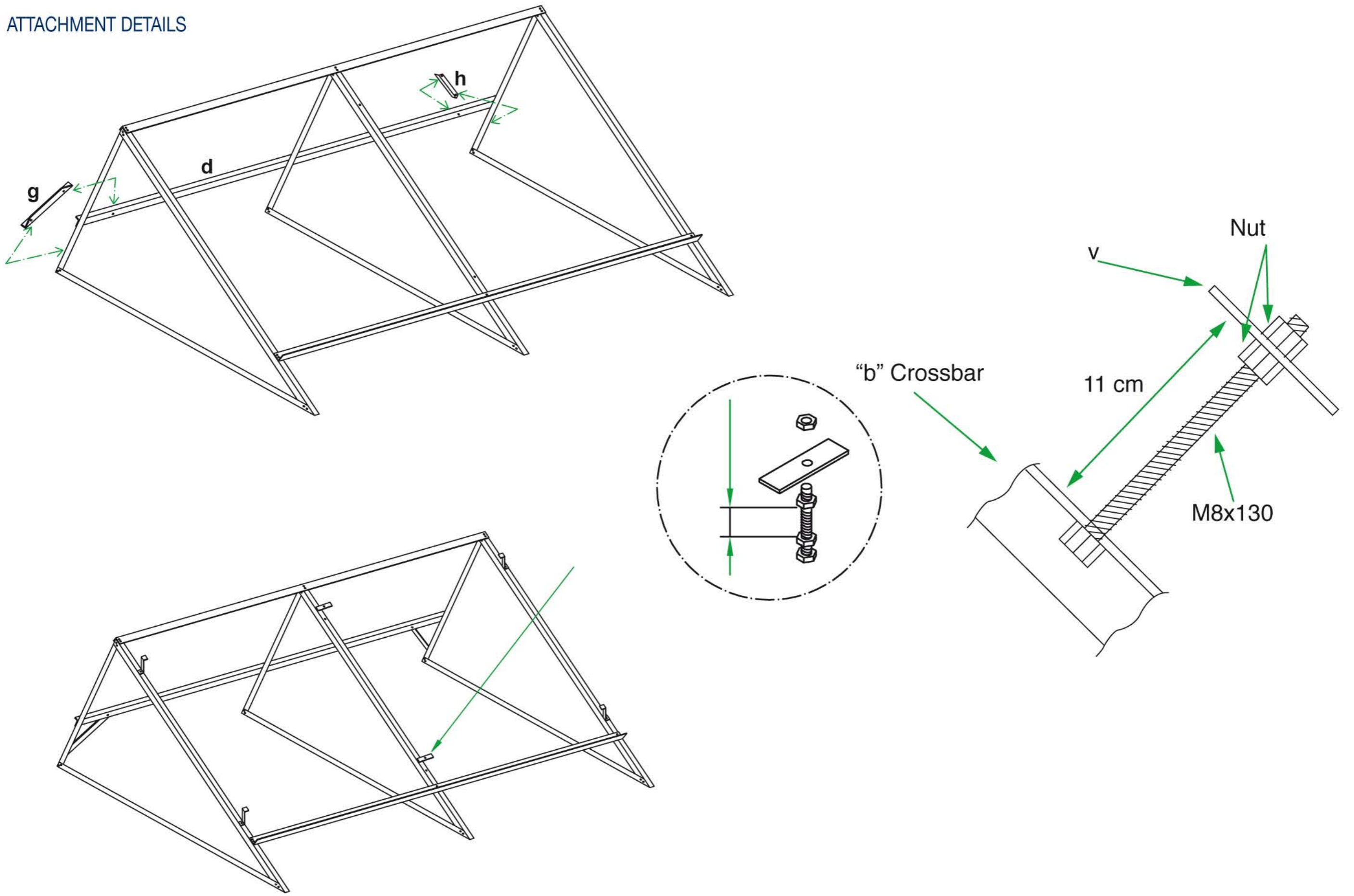
CROSSBARS



ATTACHMENT DETAILS



ATTACHMENT DETAILS

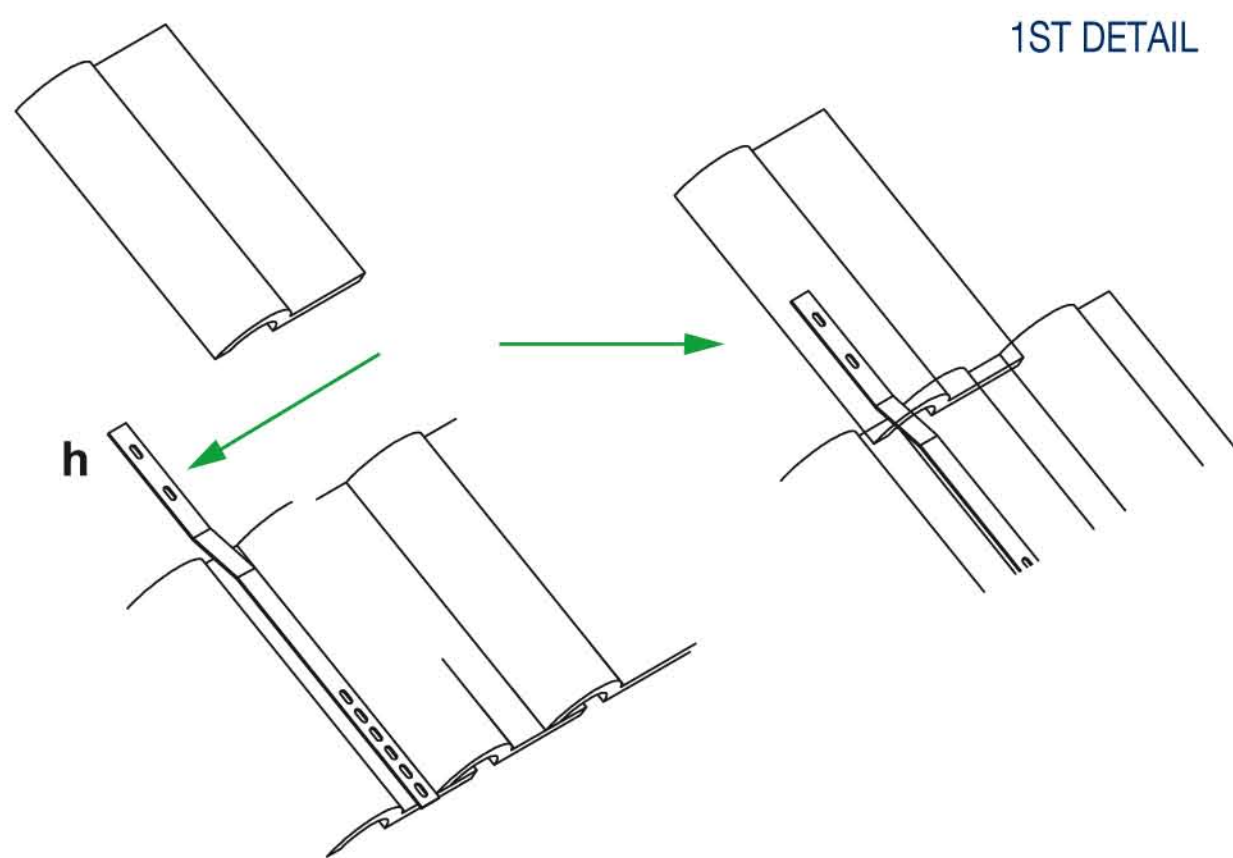




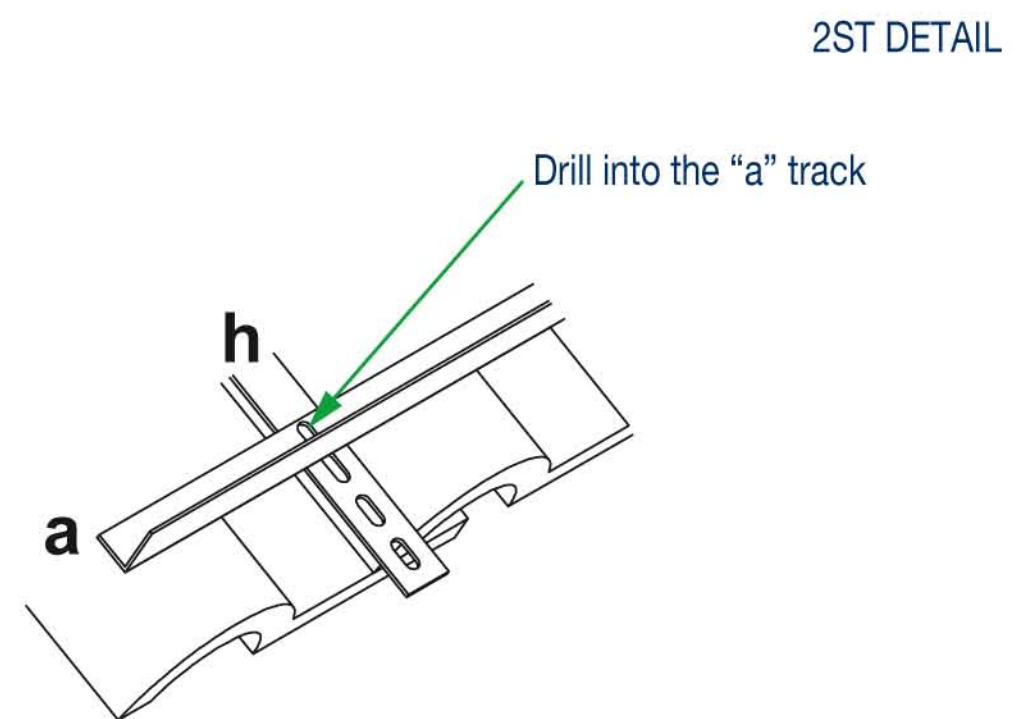
Technical Data Forced circulation support structure Kit for pitched roofs

Component	Simbolo	Kit per 1 pannello	Kit per 2 pannelli	Kit per 3 pannelli
Floor track				
Panda	a	1 da 1130 mm	1 da 2330 mm	1 da 3530 mm
Koala 2,0		1 da 1100 mm	1 da 2070 mm	1 da 3240 mm
Upper track				
Panda	b	1 da 1130 mm	1 da 2330 mm	1 da 3530 mm
Koala 2,0		1 da 1100 mm	1 da 2070 mm	1 da 3240 mm
Undertile	h	4	4	4
Track U-bolt	c	2	2	2

ATTACHMENT DETAILS

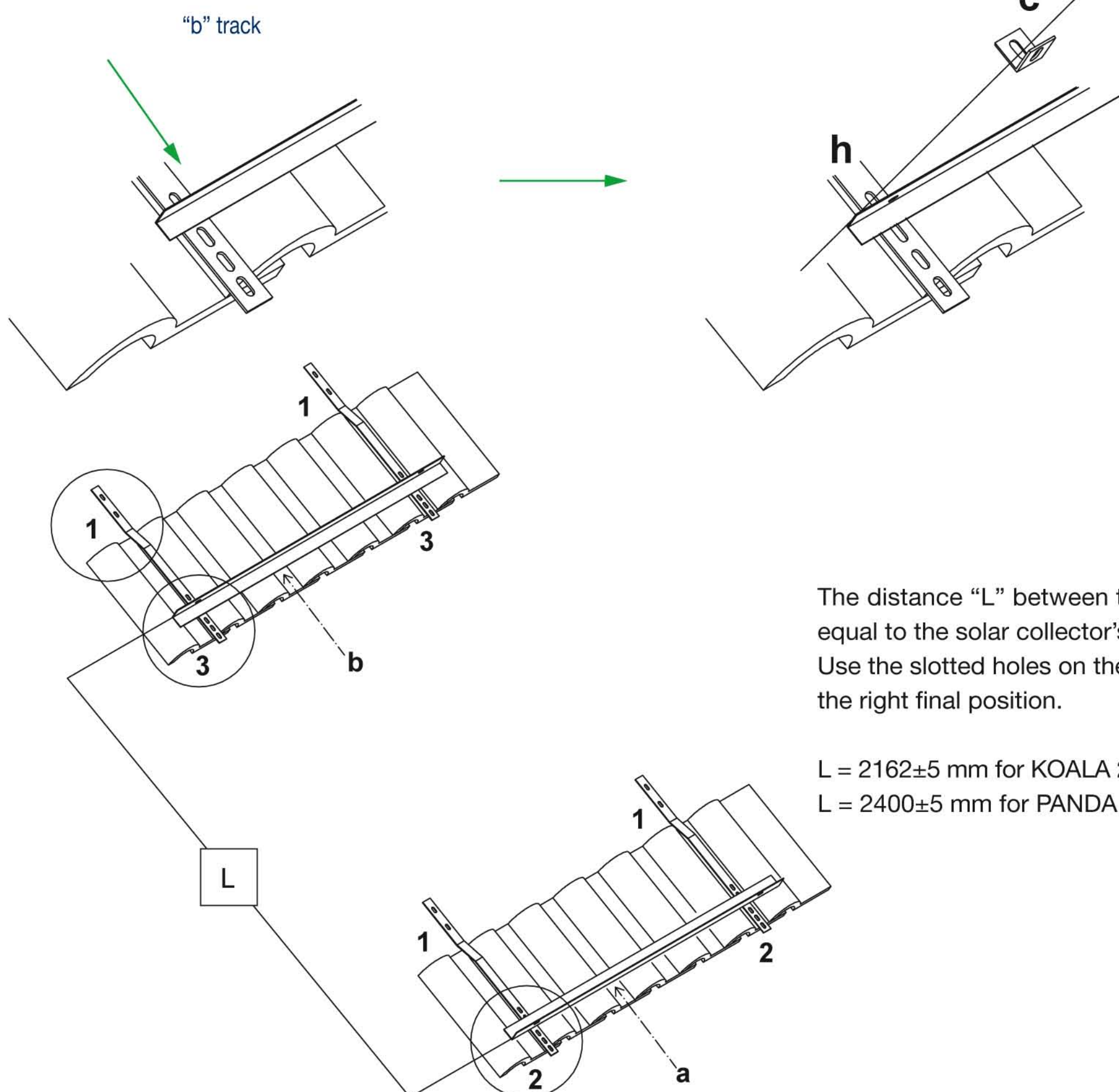


1ST DETAIL



2ST DETAIL

3ST DETAIL



The distance "L" between the "a" and "b" tracks is equal to the solar collector's length.
Use the slotted holes on the "h" U-bolt to determine the right final position.

L = 2162±5 mm for KOALA 2,0 panels (solar KIT KSS)
L = 2400±5 mm for PANDA 2,6 panels (solar KIT SS)