

ENERGY SYSTEM KNS 150



Convenient size
High output
Reasonable cost

Choosing **COSTRUZIONI SOLARI** means

- Design
- Construction
- Qualified technical support



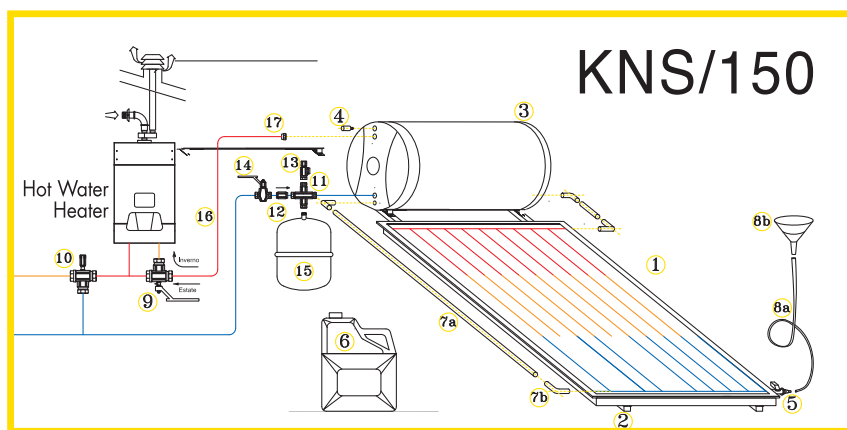
**COSTRUZIONI
SOLARI**



DESCRIPTION	Product code
2Cu KOALA with selective black paint	KOAMD2VNN
KNS 150 pitched roof assembly	STCN150NF
KNS 150 flat roof assembly	STCN150NP

KNS 150 SOLAR SYSTEM SELECTION GUIDE								
ENERGY REQUIREMENT			GEOGRAPHIC AREA				Supplies domestic hot water needs for the entire year	
Gross residential area	Number of bathrooms	Number of person	NORTH Exposure		MIDDLE Exposure			30% - 50%
			S	E/W	S	E/W		
75	1	3	Green	Red	Green	Red	70% - 85%	
100	1	3	Blue	Green	Blue	Green		

* Calculation based on the directives of the Italian Thermotechnical Council



- 1 Solar panel
- 2 Support assembly
- 3 Solar collector
- 4 Safety valve (1.5 bar)
- 5 Relief valve with connecting nozzle
- 6 Liters of glycol
- 7a Copper tubing
- 7b Elbow joint
- 8a Rubber tubing
- 8b Funnel
- 9 Manual 3-way valve
- 10 Tempering valve
- 11 T-joint
- 12 Anti-return valve
- 13 Safety valve (6-bar)
- 14 Shutoff ball valve
- 15 Expansion tank for domestic hot water system
- 16 Domestic hot water system
- 17 Multilayer connector

Connection to the summer/winter gas-fired boiler

